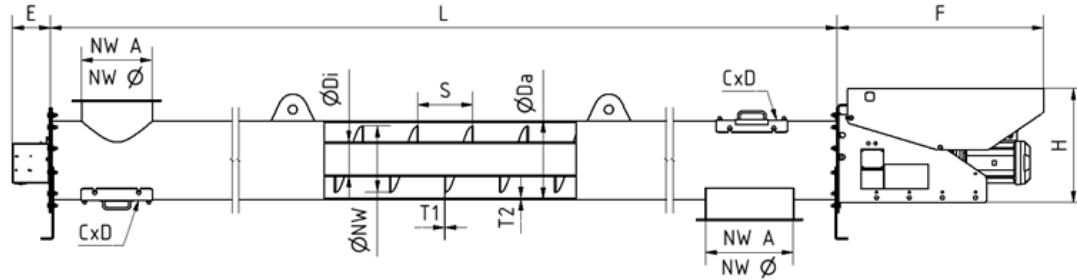
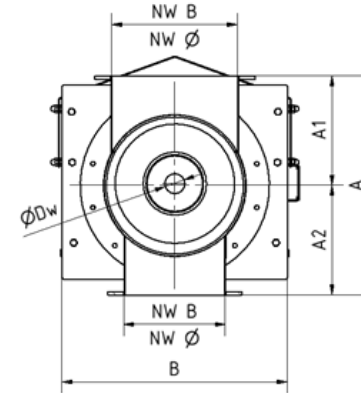
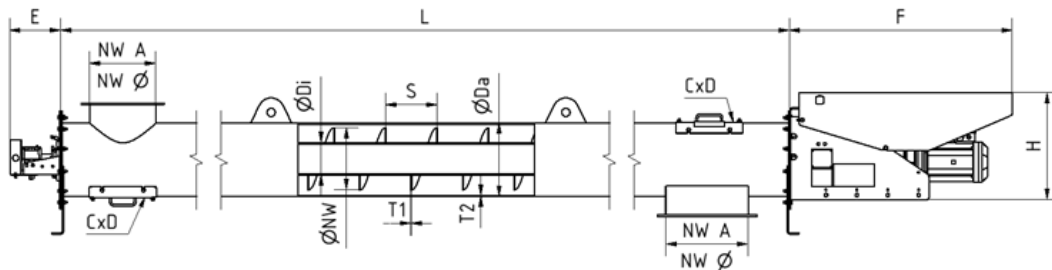


Flanschlager



Stehlager



tubular screw conveyor NW0200-0400

fs rsb-NW-T1/T2 fs rsbe-NW-Dw

NW = nominal width T1 = screw blade thickness T2 = pipe thickness Dw = shaft diameter

Application:
For discharging bulk materials

Design:
Flange bearing design:
Conveyed material temperature: <80°C
Max. differential pressure compared to the environment: 250 mbar
Not suitable for abrasive conveyed material

Pillow block bearing design:
Conveyed material temperature: <250°C
Max. differential pressure compared to the environment: 400 mbar
Without grease store: for slightly abrasive conveyed material
With grease store: for highly abrasive conveyed material

Accessories:
Weather protection cover, speed monitoring, terminal box, service switch

Options:
Screw blade made of wear resistant material, insulation: 100mm or 130mm

Manufacturer:
Gear motor: SEW

Material:
Trough and screw made of non-alloy structural steel

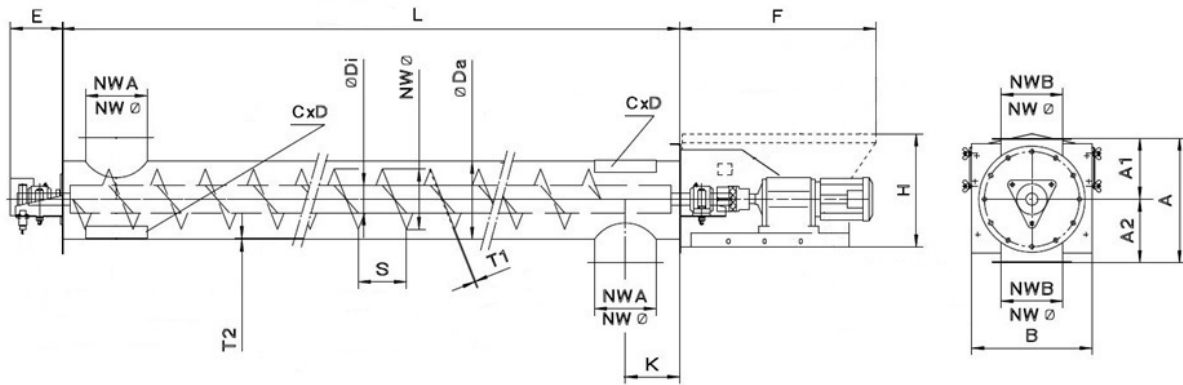
Screw Type	ØNW	Diameter inner tube ØDi	Screw blade thickness T1	Outer tube diameter ØDa	Pipe thickness T2	Screw blade pitch S	Shaft diameter ØDw	Trough length L
fs rs-0200	200	114,3 , 159	4	244,5	5	200	50	1,2m bis 8,0m
fs rs-0250	250	114,3 , 159	4	323,9	5,6	200	50	1,2m bis 9,5m
fs rs-0250	250	114,3 , 159	6	323,9	5,6	200	50	1,2m bis 9,5m
fs rs-0300	300	114,3 , 159 , 193,7 , 219,1	4	355,6	5,6	250	50	1,2m bis 10,5m
fs rs-0300	300	114,3 , 159 , 193,7 , 219,1	4	355,6	5,6	250	60	1,2m bis 10,5m
fs rs-0300	300	114,3 , 159 , 193,7 , 219,1	4	355,6	5,6	250	70	1,2m bis 10,5m
fs rs-0300	300	114,3 , 159 , 193,7 , 219,1	6	355,6	5,6	250	50	1,2m bis 10,5m
fs rs-0300	300	114,3 , 159 , 193,7 , 219,1	6	355,6	5,6	250	60	1,2m bis 10,5m
fs rs-0300	300	114,3 , 159 , 193,7 , 219,1	6	355,6	5,6	250	70	1,2m bis 10,5m
fs rs-0400	400	159 , 193,7 , 219,1 , 244,5 , 273	4	457	6,3	315	50	1,2m bis 11,0m
fs rs-0400	400	159 , 193,7 , 219,1 , 244,5 , 273	4	457	6,3	315	60	1,2m bis 11,0m

70 Conveying and discharge devices > 721 Screw conveyors > tubular screw conveyor NW0200-0400

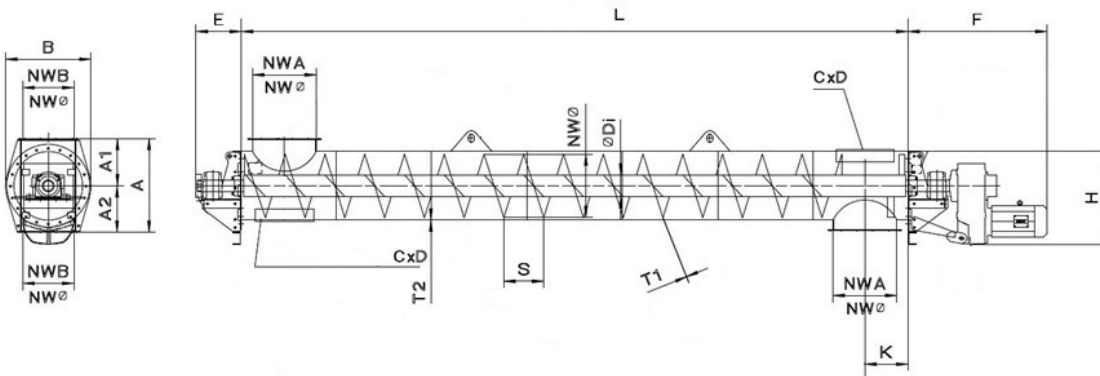
Screw Type	ØNW	Diameter inner tube ØDi	Screw blade thickness T1	Outer tube diameter ØDa	Pipe thickness T2	Screw blade pitch S	Shaft diameter ØDw	Trough length L
fs rs-0400	400	159 , 193,7 , 219,1 , 244,5 , 273	4	457	6,3	315	70	1,2m bis 11,0m
fs rs-0400	400	159 , 193,7 , 219,1 , 244,5 , 273	6	457	6,3	315	50	1,2m bis 11,0m
fs rs-0400	400	159 , 193,7 , 219,1 , 244,5 , 273	6	457	6,3	315	60	1,2m bis 11,0m
fs rs-0400	400	159 , 193,7 , 219,1 , 244,5 , 273	6	457	6,3	315	70	1,2m bis 11,0m

A	A1	A2	B	CxD	E (Pillow block bearing)	E (Flange bearing)	F	H	Mass (kg)
449	224,5	224,5	500	0250x0200	275	175	1200	560	245 + 57 x L
500	250	250	500	0250x0200	275	175	1200	560	260 + 73 x L
500	250	250	500	0250x0200	275	175	1200	560	260 + 73 x L
550	275	275	565	0250x0200	280	175	1400	660	280 + 81 x L
550	275	275	565	0250x0200	280	175	1400	660	280 + 81 x L
550	275	275	565	0250x0200	280	175	1400	660	280 + 81 x L
550	275	275	565	0250x0200	280	175	1400	660	280 + 81 x L
550	275	275	565	0250x0200	280	175	1400	660	280 + 81 x L
550	275	275	565	0250x0200	280	175	1400	660	280 + 81 x L
650	325	325	650	0250x0200	280	175	1400	660	315 + 109 x L
650	325	325	650	0250x0200	280	175	1400	660	315 + 109 x L
650	325	325	650	0250x0200	280	175	1400	660	315 + 109 x L
650	325	325	650	0250x0200	280	175	1400	660	315 + 109 x L
650	325	325	650	0250x0200	280	175	1400	660	315 + 109 x L
650	325	325	650	0250x0200	280	175	1400	660	315 + 109 x L

NW0500-NW0630



NW0800 - NW1000



tubular screw conveyor NW0500-1000

fs rsb-NW-T1/T2fs rsbe-NW-Dw

NW = nominal width T1 = screw blade thickness T2 = trough thickness Dw = shaft diameter

Annotation:

Gear motors for screw conveyors NW0800 and NW1000 designed as parallel-shaft gearmotor with hollow shaft (FH) - and should be requested if necessary

Application:

For discharging bulk materials

Design:

Pillow block design with grease store:
Conveyed material temperature: <250°C
Max. differential pressure compared to the environment: 400 mbar
For highly abrasive conveyed material

Accessories:

Weather protection cover (up to NW0630), speed monitoring, terminal box, service switch

Options:

Screw blade made of wear resistant material, insulation: 100mm or 130mm

Manufacturer:

Gear motor: SEW

Material:

Trough and screw made of non-alloy structural steel

Screw Type	ØNW	Diameter inner tube ØDi	Screw blade thickness T1	Outer tube diameter ØDa	Pipe thickness T2	Screw blade pitch S	Shaft diameter ØDw	Trough length L
fs rs-0500	0500	219,1 , 244,5 , 273 , 323,9 , 355,6 , 406,4	6	560,0	6,0	400	70	1,5m bis 13m
fs rs-0500	0500	219,1 , 244,5 , 273 , 323,9 , 355,6 , 406,4	6	560,0	6,0	400	90	1,5m bis 13m
fs rs-0500	0500	219,1 , 244,5 , 273 , 323,9 , 355,6 , 406,4	8	560,0	6,0	400	70	1,5m bis 13m
fs rs-0500	0500	219,1 , 244,5 , 273 , 323,9 , 355,6 , 406,4	8	560,0	6,0	400	90	1,5m bis 13m
fs rs-0630	0630	219,1 , 244,5 , 273 , 323,9 , 355,6 , 406,4	6	685,0	6,0	450	70	1,5m bis 13m
fs rs-0630	0630	219,1 , 244,5 , 273 , 323,9 , 355,6 , 406,4	6	685,0	6,0	450	90	1,5m bis 13m

70 Conveying and discharge devices > 721 Screw conveyors > tubular screw conveyor NW0500-1000

Screw Type	ØNW	Diameter inner tube ØDi	Screw blade thickness T1	Outer tube diameter ØDa	Pipe thickness T2	Screw blade pitch S	Shaft diameter ØDw	Trough length L
fs rs-0630	0630	219,1 , 244,5 , 273 , 323,9 , 355,6 , 406,4	8	685,0	6,0	450	70	1,5m bis 13m
fs rs-0630	0630	219,1 , 244,5 , 273 , 323,9 , 355,6 , 406,4	8	685,0	6,0	450	90	1,5m bis 13m
fs rs-0800	0800	244,5 , 273 , 323,9 , 355,6 , 406,4 , 457	8	850,0	8,0	560	110	1,5m bis 13m
fs rs-0800	0800	244,5 , 273 , 323,9 , 355,6 , 406,4 , 457	8	850,0	8,0	560	140	1,5m bis 13m
fs rs-1000	1000	244,5 , 273 , 323,9 , 355,6 , 406,4 , 457	8	1060,0	8,0	560	140	1,5m bis 13m

A	A1	A2	B	CxD	E	F	H	Mass (kg)
735	367	367	658	0250x0200	415	1400	800	360 + 200 x L
735	367	367	658	0250x0200	415	1400	800	360 + 200 x L
735	367	367	658	0250x0200	415	1400	800	360 + 200 x L
735	367	367	658	0250x0200	415	1400	800	360 + 200 x L
890	445	445	780	0250x0200	415	1400	800	390 + 235 x L
890	445	445	780	0250x0200	415	1400	800	390 + 235 x L
890	445	445	780	0250x0200	415	1400	800	390 + 235 x L
890	445	445	780	0250x0200	415	1400	800	390 + 235 x L
1090	510	580	1075	0500x0315	560	1650	1310	1920 + 320 x L
1090	510	580	1075	0500x0315	560	1650	1310	1920 + 320 x L
1340	615	725	1330	0500x0315	560	1660	1490	2300 + 400 x L