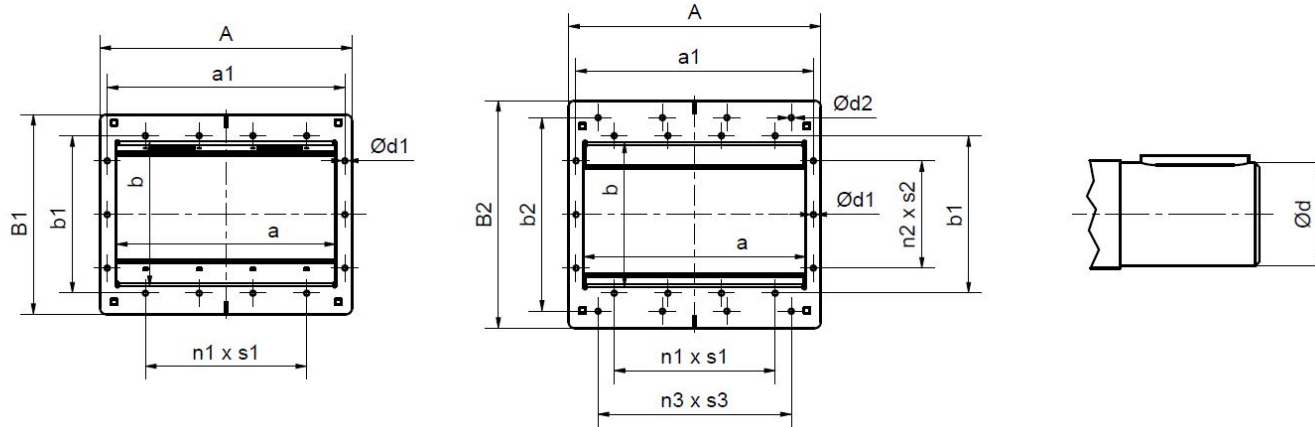


**Einfall inlet**

**Ausfall outlet**



**rotary valve zss NW0321-0630**

**zss NW-\_\_**

NW = nominal width \_\_ = operation type - n(k) / t(k)

**Application:**

Universal discharge and feed device for bulk materials and dust  
Suitable for hard and fine particles and high pressure differences  
Conveyed material temperature:  
n - up to 80°C  
t - up to 200°C

**Design:**

Rigid welded construction  
Maintenance free bearings  
Casing bore hard chromium plated  
Zone 20(21) inside

**Shaft seal:**

n - radial shaft seal  
t - stuffing box without grease store  
(optional stuffing box with grease store or seal gas)

**Drive:**

nk & tk - with coupling, gear motor mounted on a console

**Options:**

Weather protection cover (drive), speed monitoring, terminal box, service switch, wear plate, casing blade, end plate ventilation, product deflector in inlet

**Optional configurations:**

Protective system according ATEX 2014/34/EU - limited to conveyed material temperature up to 80°C (t-design with reduced gap possible)

Gear motor, speed monitoring suitable for Zone 22 outside

**Material:**

Casing and rotor made of steel, 1.0038  
Full blade rotor and rotor strips made of wear resistant steel

Type	Rotation speed (U/min)	A	B1	B2	C	E	F	G	a	a1	b	b1	b2	Ød	Ød1	Ød2	n1 x s1	n2 x s2	n3 x s3	O
zss 0321-nk	39	350	400	400	370	275	300	840	256	292	256	292	370	38	11,5	11,5	2 x 112	2 x 112	1 x 240	25
zss 0321-nk	25	350	400	400	370	275	300	840	256	292	256	292	370	38	11,5	11,5	2 x 112	2 x 112	1 x 240	25
zss 0321-tk	39	350	400	400	370	375	400	940	256	292	256	292	370	38	11,5	11,5	2 x 112	2 x 112	1 x 240	25
zss 0321-tk	25	350	400	400	370	375	400	940	256	292	256	292	370	38	11,5	11,5	2 x 112	2 x 112	1 x 240	25
zss 0322-nk	39	500	400	400	370	350	375	910	404	448	256	300	370	38	11,5	11,5	3 x 125	1 x 125	1 x 350	25

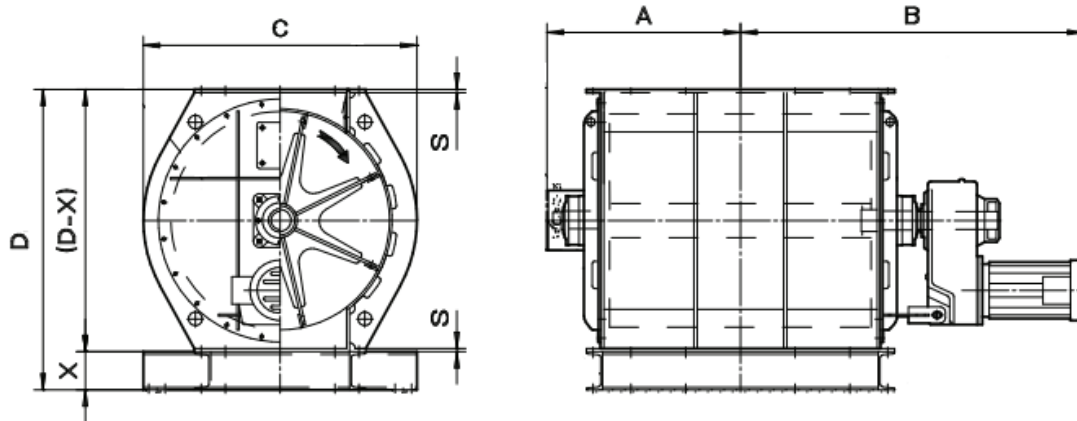
70 Conveying and discharge devices > 711 Rotary valve > rotary valve zss NW0321-0630

Type	Rotation speed (U/min)	A	B1	B2	C	E	F	G	a	a1	b	b1	b2	Ød	Ød1	Ød2	n1 x s1	n2 x s2	n3 x s3	O
zss 0322-nk	25	500	400	400	370	350	375	910	404	448	256	300	370	38	11,5	11,5	3 x 125	1 x 125	1 x 350	25
zss 0322-tk	39	500	400	400	370	450	475	1010	404	448	256	300	370	38	11,5	11,5	3 x 125	1 x 125	1 x 350	25
zss 0322-tk	25	500	400	400	370	450	475	1010	404	448	256	300	370	38	11,5	11,5	3 x 125	1 x 125	1 x 350	25
zss 0400-nk	39	587	465	530	530	365	405	1010	507	551	322	366	450	48	11,5	14	3 x 125	2 x 125	3 x 150	25
zss 0400-nk	26	587	465	530	530	365	405	1010	507	551	322	366	450	48	11,5	14	3 x 125	2 x 125	3 x 150	25
zss 0400-tk	39	587	465	530	530	468	505	1210	507	551	322	366	450	48	11,5	14	3 x 125	2 x 125	3 x 150	25
zss 0400-tk	26	587	465	530	530	468	505	1210	507	551	322	366	450	48	11,5	14	3 x 125	2 x 125	3 x 150	25
zss 0500-nk	34	738	590	684	700	430	508	1190	638	698	404	464	550	48	15	18	3 x 160	2 x 160	3 x 150	25
zss 0500-nk	22	738	590	684	700	430	508	1190	638	698	404	464	550	48	15	18	3 x 160	2 x 160	3 x 150	25
zss 0500-tk	34	738	590	684	700	530	608	1290	638	698	404	464	550	48	15	18	3 x 160	2 x 160	3 x 150	25
zss 0500-tk	22	738	590	684	700	530	608	1290	638	698	404	464	550	48	15	18	3 x 160	2 x 160	3 x 150	25
zss 0630-nk	31	921	665	754	770	534	593	1425	801	871	507	577	700	60	15	18	3 x 200	2 x 200	5 x 150	25
zss 0630-nk	20	921	665	754	770	534	593	1425	801	871	507	577	700	60	15	18	3 x 200	2 x 200	5 x 150	25
zss 0630-tk	31	921	665	754	770	634	693	1525	801	871	507	577	700	60	15	18	3 x 200	2 x 200	5 x 150	25
zss 0630-tk	20	921	665	754	770	634	693	1525	801	871	507	577	700	60	15	18	3 x 200	2 x 200	5 x 150	25

Power drive (kW)	Throughput at 100% V (m³/h)	Weight free shaft end (kg)	Weight drive (kg)
1,1	39,5	113	66
0,75	25,5	113	59
1,1	39,5	124	66
0,75	25,5	124	59
1,1	63,1	144	66
0,75	40	144	59
1,1	63,1	155	66
0,75	40	155	59
1,5	119,1	233	97
1,1	79	233	94
1,5	119,1	247	97
1,1	79	247	94
2,2	193,7	380	134
1,5	125	380	130
2,2	193,7	396	134
1,5	125	396	130
4	394	579	200

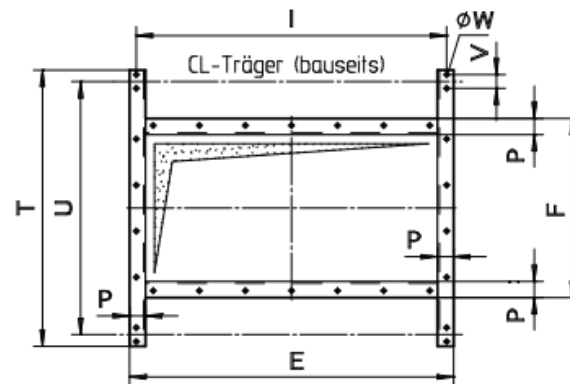
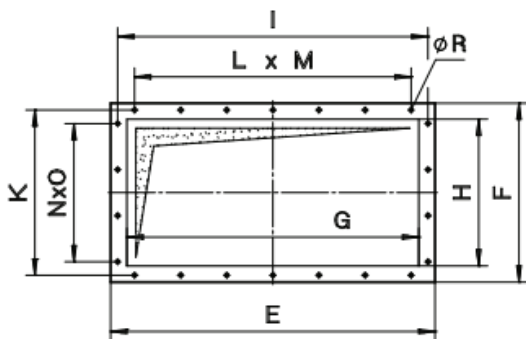
70 Conveying and discharge devices > 711 Rotary valve > rotary valve zss NW0321-0630

Power drive (kW)	Throughput at 100% V (m³/h)	Weight free shaft end (kg)	Weight drive (kg)
3	254	579	192
4	394	602	200
3	254	602	192



Ein- und Ausfallrahmen

Grundrahmen



Type	Rotation speed (rpm)	A	B	C	D	E	F	G	H	I	K	LxM	NxO	P	ØR	S	T	U	V	ØW	X
zss 0800-nf	32	707	1268	1000	1100	1127	627	1007	507	1077	577	4 x 200	2 x 200	60	14	12	1000	900	60	14	140
zss 0800-nf	21	707	1268	1000	1100	1127	627	1007	507	1077	577	4 x 200	2 x 200	60	14	12	1000	900	60	14	140
zss 0800-tf	32	807	1368	1000	1100	1127	627	1007	507	1077	577	4 x 200	2 x 200	60	14	12	1000	900	60	14	140
zss 0800-tf	21	807	1368	1000	1100	1127	627	1007	507	1077	577	4 x 200	2 x 200	60	14	12	1000	900	60	14	140

## rotary valve zss NW0800

**zss 0800-\_\_**

\_\_ = operation type - n(f) / t(f)

### Application:

Universal discharge and feed device for bulk materials and dust

Suitable for hard and fine particles and high pressure differences

Conveyed material temperature:

n - up to 80°C

t - up to 200°C

### Design:

Rigid welded construction

Casing bore hard chromium plated

Zone 20(21) inside

### Shaft seal:

n - radial shaft seal

t - stuffing box without grease store

(optional stuffing box with grease store or seal gas)

### Drive:

nf & tf - parallel-shaft gearmotor with hollow shaft (flanged)

### Options:

Basic frame, speed monitoring, terminal box, service switch, casing blade, wear plate

### Optional configurations:

Protective system according ATEX

2014/34/EU - limited to conveyed material temperature up to 80°C

Gear motor, speed monitoring suitable for Zone 22 outside

### Material:

Casing and rotor made of steel, 1.0038

Rotor strips made of wear resistant steel

70 Conveying and discharge devices > 711 Rotary valve > rotary valve zss NW0800

Power drive (kW)	Throughput at 100% V (m³/h)	Weight (kg)	Weight drive (kg)	Weight basic frame (kg)
5,5	833	1006	159	64
4	546	1006	159	64
5,5	833	1016	159	64
4	546	1016	159	64