

rotary valve zsm NW0501-0642

zsm-NW-__(-vb)

NW = nominal width __ = operation type - n(f) / t(f) vb = drive type v-belt (optional)

Application:

Discharge and feed device for rough operations
Suitable for wearing, medium hard material and high differential pressures (8000Pa / 800mbar)

Conveyed material temperature:

n - up to 80°C
t - up to 200°C

Design:

Casing and rotor in solid welded construction
Casing bore hard chromium plated
9-chamber V-rotor
Casing with up and down side knife
Zone 20(21) inside

Shaft seal:

Stuffing box with grease store or seal gas

Drive:

nf & tf - parallel-shaft gearmotor with hollow shaft (flanged)
vb - three-phase motor and v-belt on flanged gear

Options:

Speed monitoring, terminal box, service switch, end plate ventilation, safety switch for blade chamber cover

Optional configurations:

Rotor with carbide cutting edges

Protective system according ATEX 2014/34/EU - limited to conveyed material temperature up to 80°C

Gear motor, speed monitoring suitable for Zone 22 outside

Material:

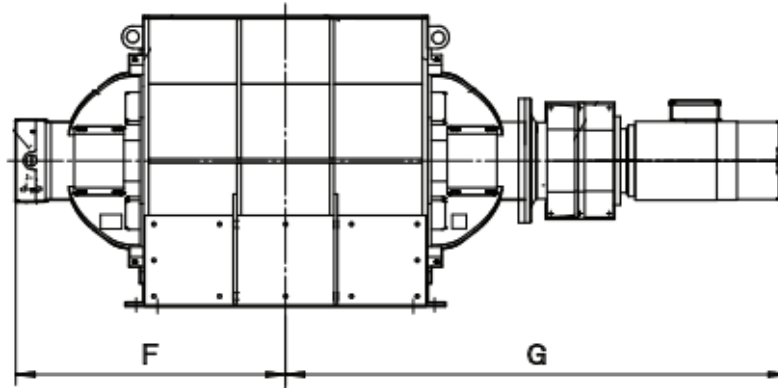
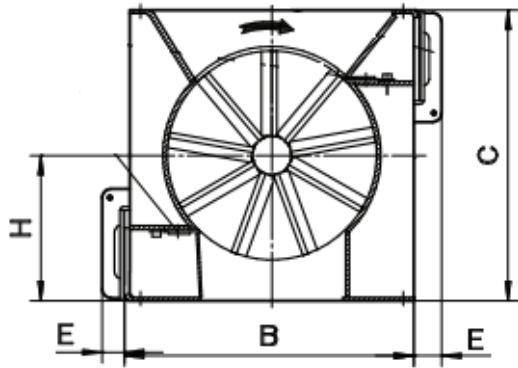
Casing made of steel 1.0038, Rotor made of wear resistant steel

Type	Rotation speed (U/min)	A	B	C	E	F	G	H	I	M	a1	a2	b1	b2	b3	Ød1	n1 x s1	n2 x s2	n3 x s3	s4	n5 x s5
zsm 0501-__	43	540	649	710	360	640	1285	-	650	M16	410	530	529	350	560	19	2 x 230	2 x 300	5 x 120	108	2 x 200
zsm 0501-__	37	540	649	710	360	640	1285	-	650	M16	410	530	529	350	560	19	2 x 230	2 x 300	5 x 120	108	2 x 200
zsm 0501-__-vb	43	540	649	710	360	640	1010	450	650	M16	410	530	529	350	560	19	2 x 230	2 x 300	5 x 120	108	2 x 200

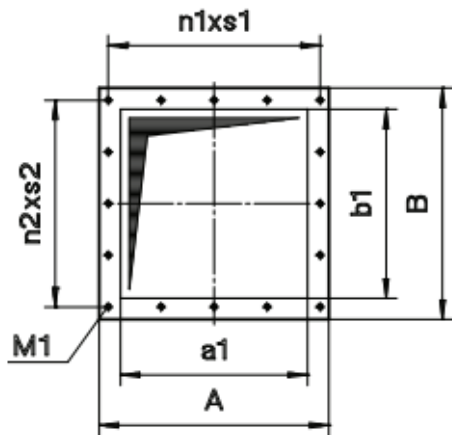
70 Conveying and discharge devices > 711 Rotary valve > rotary valve zsm NW0501-0642

Type	Rotation speed (U/min)	A	B	C	E	F	G	H	I	M	a1	a2	b1	b2	b3	Ød1	n1 x s1	n2 x s2	n3 x s3	s4	n5 x s5
zsm 0501-__-vb	37	540	649	710	360	640	1010	450	650	M16	410	530	529	350	560	19	2 x 230	2 x 300	5 x 120	108	2 x 200
zsm 0502-__	43	775	649	710	360	758	1402	-	900	M16	645	765	529	350	560	19	2 x 360	2 x 300	7 x 120	108	2 x 320
zsm 0502-__	37	775	649	710	360	758	1402	-	900	M16	645	765	529	350	560	19	2 x 360	2 x 300	7 x 120	108	2 x 320
zsm 0502-__-vb	43	775	649	710	360	758	1127	450	900	M16	645	765	529	350	560	19	2 x 360	2 x 300	7 x 120	108	2 x 320
zsm 0502-__-vb	37	775	649	710	360	758	1127	450	900	M16	645	765	529	350	560	19	2 x 360	2 x 300	7 x 120	108	2 x 320
zsm 0641-__	43	790	799	820	415	774	1468	-	900	M16	675	780	679	420	700	19	2 x 360	2 x 370	7 x 120	130	2 x 320
zsm 0641-__	32	790	799	820	415	774	1468	-	900	M16	675	780	679	420	700	19	2 x 360	2 x 370	7 x 120	130	2 x 320
zsm 0641-__-vb	43	790	799	820	415	774	1186	425	900	M16	675	780	679	420	700	19	2 x 360	2 x 370	7 x 120	130	2 x 320
zsm 0641-__-vb	32	790	799	820	415	774	1186	425	900	M16	675	780	679	420	700	19	2 x 360	2 x 370	7 x 120	130	2 x 320
zsm 0642-__	43	890	799	820	415	824	1518	-	1050	M16	775	880	679	420	700	19	2 x 420	2 x 370	9 x 120	130	3 x 220
zsm 0642-__	32	890	799	820	415	824	1518	-	1050	M16	775	880	679	420	700	19	2 x 420	2 x 370	9 x 120	130	3 x 220
zsm 0642-__-vb	43	890	799	820	415	824	1236	425	1050	M16	775	880	679	420	700	19	2 x 420	2 x 370	9 x 120	130	3 x 220
zsm 0642-__-vb	32	890	799	820	415	824	1236	425	1050	M16	775	880	679	420	700	19	2 x 420	2 x 370	9 x 120	130	3 x 220

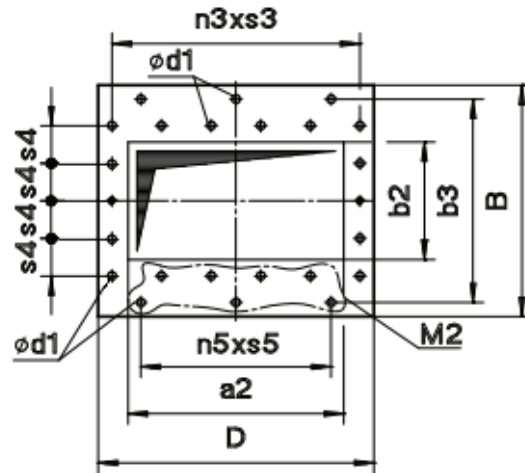
Power drive (kW)	Throughput at 100% V (m³/h)	Weight free shaft end (kg)	Weight drive (kg)
4	159	600	171
4	137	600	176
4	159	600	218
4	137	600	223
4	253	744	171
4	218	744	176
4	253	744	218
4	218	744	223
5,5	400	933	182
4	298	933	177
5,5	400	933	237
4	298	933	232
5,5	457	1005	192
4	340	1005	192
5,5	457	1005	237
4	340	1005	237



Einfallrahmen:



Ausfallrahmen:



rotary valve zsm NW0761-1252

zsm-NW-__

NW = nominal width __ = operation type - n(f) / t(f)

Application:

Discharge and feed device for rough operations
Suitable for wearing, medium hard material and high differential pressures (80000Pa / 800mbar)
Conveyed material temperature:
n - up to 80°C
t - up to 200°C

Design:

Casing and rotor in solid welded construction
Casing bore hard chromium plated
9-chamber V-rotor
Casing with up side knife
Zone 20(21) inside

Shaft seal:

Stuffing box with grease store or seal gas

Drive:

nf & tf - parallel-shaft gearmotor with hollow shaft (flanged)

Options:

Speed monitoring, terminal box, service switch, end plate ventilation, safety switch for blade chamber cover, down side knife

Optional configurations:

Rotor with carbide cutting edges

Protective system according ATEX 2014/34/EU - limited to conveyed material temperature up to 80°C
Gear motor, speed monitoring suitable for Zone 22 outside

Material:

Casing made of steel 1.0038, Rotor made of wear resistant steel

Type	Rotation speed (U/min)	A	B	C	D	E	F	G	H	a1	b1	n1 x s1	n2 x s2	M1	a2	b2	n3 x s3	s4	M2	b3	n5 x s5	Ød1
zsm 0761-__	43	800	940	930	910	84	780	1553,5	470	660	819	2 x 360	2 x 440	M16	780	490	7 x 120	140	M16	760	2 x 320	19
zsm 0761-__	25	800	940	930	910	84	780	1553,5	470	660	819	2 x 360	2 x 440	M16	780	490	7 x 120	140	M16	760	2 x 320	19
zsm 0762-__	43	910	940	930	1060	84	835	1608,5	470	770	819	2 x 420	2 x 440	M16	890	490	9 x 110	140	M16	760	3 x 220	19

70 Conveying and discharge devices > 711 Rotary valve > rotary valve zsm NW0761-1252

Type	Rotation speed (U/min)	A	B	C	D	E	F	G	H	a1	b1	n1 x s1	n2 x s2	M1	a2	b2	n3 x s3	s4	M2	b3	n5 x s5	Ød1
zsm 0762-__	25	910	940	930	1060	84	835	1608,5	470	770	819	2 x 420	2 x 440	M16	890	490	9 x 110	140	M16	760	3 x 220	19
zsm 0763-__	43	1170	940	930	1320	84	965	1738,5	470	1040	819	3 x 370	2 x 440	M16	1150	490	11 x 115	140	M16	760	3 x 320	19
zsm 0763-__	25	1170	940	930	1320	84	965	1738,5	470	1040	819	3 x 370	2 x 440	M16	1150	490	11 x 115	140	M16	760	3 x 320	19
zsm 0891-__	38	940	1100	1110	1130	90	865	1638,5	560	770	919	4 x 210	4 x 250	M16	920	610	9 x 115	180	M20	1000	3 x 220	23
zsm 0891-__	22	940	1100	1110	1130	90	865	1638,5	560	770	919	4 x 210	4 x 250	M16	920	610	9 x 115	180	M20	1000	3 x 220	23
zsm 0892-__	38	1190	1100	1110	1380	90	990	1763,5	560	1020	919	4 x 280	4 x 250	M16	1170	610	11 x 117	180	M20	1000	4 x 260	23
zsm 0892-__	22	1190	1100	1110	1380	90	990	1763,5	560	1020	919	4 x 280	4 x 250	M16	1170	610	11 x 117	180	M20	1000	4 x 260	23
zsm 0893-__	38	1480	1100	1110	1690	90	1135	1908,5	560	1310	919	5 x 280	4 x 250	M16	1460	610	13 x 124	180	M20	1000	3 x 440	23
zsm 0893-__	22	1480	1100	1110	1690	90	1135	1908,5	560	1310	919	5 x 280	4 x 250	M16	1460	610	13 x 124	180	M20	1000	3 x 440	23
zsm 1001-__	34	1206	1300	1300	1360	100	1020	2081	655	1040	1099	4 x 280	4 x 300	M16	1180	680	11 x 117	160	M20	1200	4 x 260	23
zsm 1001-__	20	1206	1300	1300	1360	100	1020	2081	655	1040	1099	4 x 280	4 x 300	M16	1180	680	11 x 117	160	M20	1200	4 x 260	23
zsm 1002-__	34	1494	1300	1300	1690	100	1165	2226	655	1330	1099	5 x 280	4 x 300	M16	1470	680	13 x 124	160	M20	1200	3 x 440	23
zsm 1002-__	20	1494	1300	1300	1690	100	1165	2226	655	1330	1099	5 x 280	4 x 300	M16	1470	680	13 x 124	160	M20	1200	3 x 440	23
zsm 1251-__	25	1504	1700	1600	1720	120	1175	2232,5	805	1300	1479	5 x 280	6 x 265	M16	1480	890	13 x 125	160	M20	1490	4 x 310	23
zsm 1251-__	15	1504	1700	1600	1720	120	1175	2232,5	805	1300	1479	5 x 280	6 x 265	M16	1480	890	13 x 125	160	M20	1490	4 x 310	23
zsm 1252-__	25	1834	1700	1600	2050	120	1340	2397,5	805	1630	1479	6 x 290	6 x 265	M16	1810	890	15 x 130	160	M20	1490	4 x 400	23
zsm 1252-__	15	1834	1700	1600	2050	120	1340	2397,5	805	1630	1479	6 x 290	6 x 265	M16	1810	890	15 x 130	160	M20	1490	4 x 400	23

Power drive (kW)	Throughput at 100% V (m³/h)	Weight free shaft end (kg)	Weight drive (kg)
7,5	587	1480	291
7,5	341	1480	291
7,5	686	1705	291
7,5	399	1705	291
7,5	858	1970	291
7,5	499	1970	291
9,2	868	2275	301
9,2	502	2275	301
11,0	1153	2630	345
9,2	668	2630	345
11,0	1484	3035	345
9,2	859	3035	345
11,0	1260	3895	430
9,2	741	3895	430
11,0	1615	4565	430

70 Conveying and discharge devices > 711 Rotary valve > rotary valve zsm NW0761-1252

Power drive (kW)	Throughput at 100% V (m³/h)	Weight free shaft end (kg)	Weight drive (kg)
9,2	950	4565	430
15,0	2090	6090	445
11,0	1254	6090	445
15,0	2625	6935	445
11,0	1575	6935	445