

rotary valve zsl NW0315-0630

zsl NW-n(k)

NW = nominal width

Application:

Discharge and feed device for large-volume, light conveyed material

Suitable for low pressure difference (max. 8000Pa/80mbar) and conveyed material temperatures up to 80°C

Design:

Light welded construction
Maintenance free bearings
Rotor design: 8-chamber
Strip design: antistatic sealing lips
Zone 20(21) inside

Shaft seal:

n - radial shaft seal

Drive:

nk - with coupling, gear motor mounted on a console

Options:

Weather protection cover (drive), speed monitoring, terminal box, service switch

Optional configurations:

Protective system according ATEX 2014/34/EU
Gear motor, speed monitoring suitable for Zone 22 outside

Material:

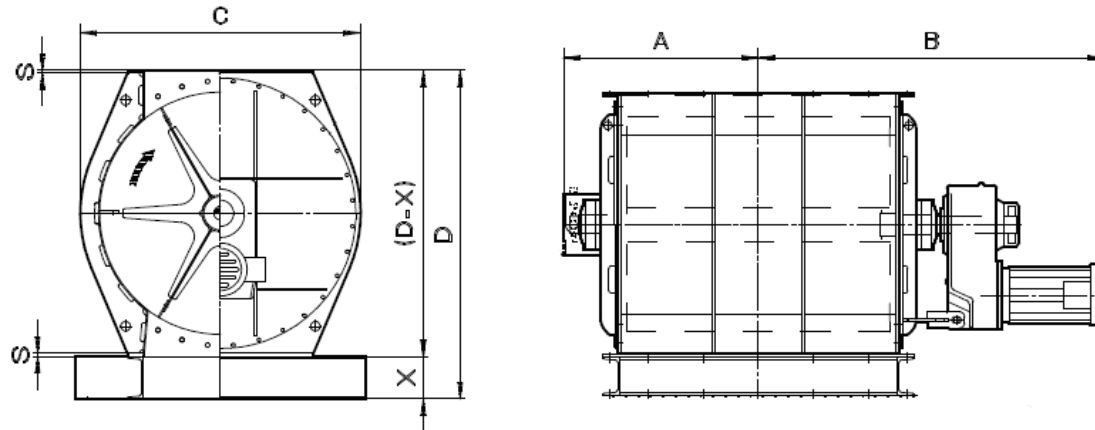
Casing and rotor made of steel, 1.0038

Type	Rotation speed (U/min)	A	B	C	E	F	G	a2	b2	a1	b1	n1xs1	n2xs2	Ød	Ød1
zsl 0315-nk	39	480	390	370	300	327	862	404	256	448	300	3 x 125	1 x 125	40	11,5
zsl 0315-nk	25	480	390	370	300	327	862	404	256	448	300	3 x 125	1 x 125	40	11,5
zsl 0400-nk	39	600	530	530	355	395	965	507	322	551	366	3 x 125	2 x 125	50	11,5
zsl 0400-nk	26	600	530	530	355	395	965	507	322	551	366	3 x 125	2 x 125	50	11,5
zsl 0500-nk	34	740	600	700	420	488	1094	638	404	698	464	3 x 160	2 x 160	50	14
zsl 0500-nk	22	740	600	700	420	488	1094	638	404	698	464	3 x 160	2 x 160	50	14

70 Conveying and discharge devices > 711 Rotary valve > rotary valve zsl NW0315-0630

Type	Rotation speed (U/min)	A	B	C	E	F	G	a2	b2	a1	b1	n1xs1	n2xs2	Ød	Ød1
zsl 0630-nk	31	920	740	770	519	568	1295	801	507	871	577	3 x 200	2 x 200	60	14
zsl 0630-nk	20	920	740	770	519	568	1295	801	507	871	577	3 x 200	2 x 200	60	14

Power drive (kW)	Throughput at 100% V (m³/h)	Weight free shaft end (kg)	Weight drive (kg)
1,1	54,3	64	60
0,75	35	64	53
1,5	120	113	89
1,1	80	113	86
2,2	209,7	166	122
1,5	135,5	166	118
4	396	274	184
3	255,5	274	176



rotary valve zsl NW0800

zsl 0800-n(f)

Application:

Discharge and feed device for large-volume, light conveyed material

Suitable for low pressure difference (max. 8000Pa/80mbar) and conveyed material temperatures up to 80°C

ATTENTION (internal note):

Due to static necessity, the base frame is always included when installing in the system

Design:

Light welded construction
Base frame
Maintenance free bearings
Rotor design: 6-chamber
Strip design: antistatic sealing lips
Zone 20(21) inside

Drive:

nf - parallel-shaft gearmotor with hollow shaft (flanged)

Options:

Speed monitoring, terminal box, service switch

Optional configurations:

Protective system according ATEX 2014/34/EU - rotor design: 8-chamber

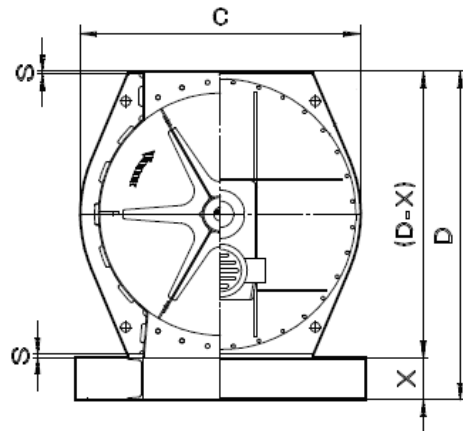
Gear motor, speed monitoring suitable for Zone 22 outside

Material:

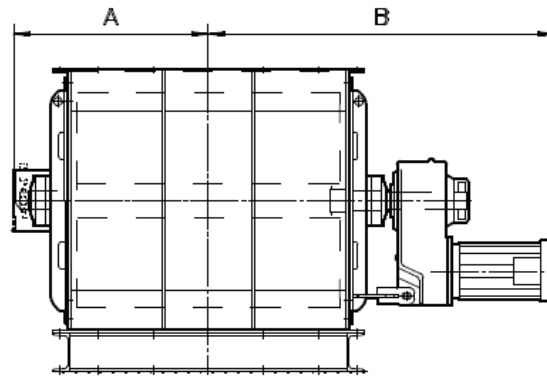
Casing and rotor made of steel, 1.0038

Type	Rotation speed (rpm)	A	B	C	D	E	E1	F	F1	G	H	I	K	LxM	NxO	P	ØR	S	T	U	V	ØW	X
zsl 0800-nf	32	690	1240	930	1100	1127	1127	627	627	1007	507	1077	577	4 x 200	2 x 200	65	14	12	1000	900	60	14	140
zsl 0800-nf	21	690	1240	930	1100	1127	1127	627	627	1007	507	1077	577	4 x 200	2 x 200	65	14	12	1000	900	60	14	140

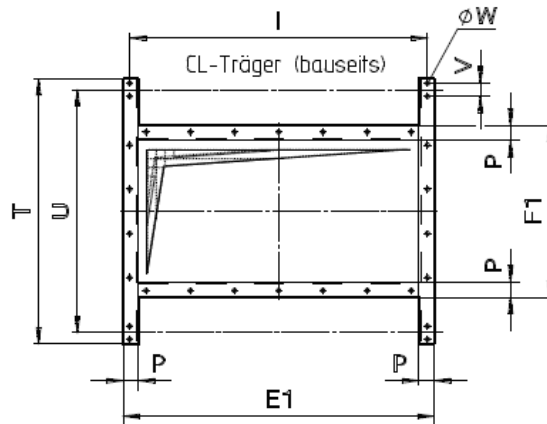
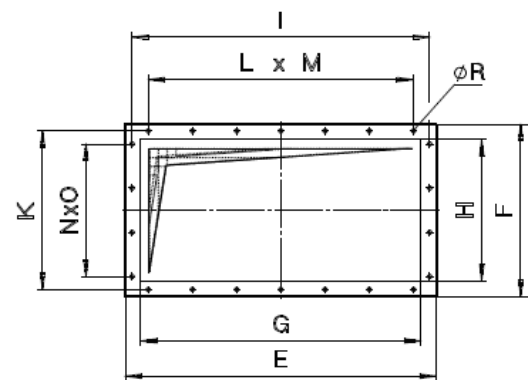
Power drive (kW)	Throughput at 100% V (m³/h)	Weight (kg)	Weight drive (kg)	Weight basic frame (kg)
5,5	921	500	159	60
4,0	604	500	149	60



Ein- und Ausfallrahmen:



Grundrahmen



rotary valve zsl NW1000-2000

zsl NW-n(f)

NW = nominal width

Application:

Discharge and feed device for large-volume, light conveyed material

Suitable for low pressure difference (max. 8000Pa/80mbar) and conveyed material temperatures up to 80°C

ATTENTION (internal note):

Due to static necessity, the base frame is always included when installing in the system

Design:

Light welded construction
Base frame
Maintenance free bearings
Rotor design: 6-chamber
Strip design: antistatic sealing lips
Zone 20(21) inside

Drive:

nf - parallel-shaft gearmotor with hollow shaft (flanged)

Options:

Speed monitoring, terminal box, service switch

Optional configurations:

Protective system according ATEX 2014/34/EU - rotor design: 8-chamber

Gear motor, speed monitoring suitable for Zone 22 outside

Material:

Casing and rotor made of steel, 1.0038

Type	Rotation speed (rpm)	A	B	C	D	E	E1	F	F1	G	H	I	K	LxM	NxO	P	ØR	S	T	U	V	ØW	X
zsl 1000-nf	28	850	1455	1160	1400	1407	1417	778	788	1267	638	1347	718	6 x 200	3 x 200	80	18	15	1250	1100	80	18	180
zsl 1000-nf	20	850	1455	1160	1400	1407	1417	778	788	1267	638	1347	718	6 x 200	3 x 200	80	18	15	1250	1100	80	18	180
zsl 1250-nf	22	1013	1620	1450	1700	1753	1783	961	991	1593	801	1683	891	7 x 200	3 x 200	100	22	15	1500	1300	110	22	220
zsl 1250-nf	15	1013	1620	1450	1700	1753	1783	961	991	1593	801	1683	891	7 x 200	3 x 200	100	22	15	1500	1300	110	22	220
zsl 1600-nf	22	1220	1950	1850	2100	2163	2183	1167	1187	2003	1007	2093	1097	9 x 200	4 x 200	95	22	15	1700	1500	110	22	220
zsl 1600-nf	11	1220	1950	1850	2100	2163	2183	1167	1187	2003	1007	2093	1097	9 x 200	4 x 200	95	22	15	1700	1500	110	22	220

70 Conveying and discharge devices > 711 Rotary valve > rotary valve zsl NW1000-2000

Type	Rotation speed (rpm)	A	B	C	D	E	E1	F	F1	G	H	I	K	LxM	NxO	P	ØR	S	T	U	V	ØW	X
zsl 2000-nf	20	1480	2210	2320	2600	2701	2741	1447	1487	2521	1267	2621	1367	12 x 200	6 x 200	115	22	20	2000	1800	110	22	260
zsl 2000-nf	9,1	1480	2210	2320	2600	2701	2741	1447	1487	2521	1267	2621	1367	12 x 200	6 x 200	115	22	20	2000	1800	110	22	260

Power drive (kW)	Throughput at 100% V (m³/h)	Weight (kg)	Weight drive (kg)	Weight basic frame (kg)
7,5	1591	850	215	98
5,5	1137	850	210	98
7,5	2477	1350	225	147
5,5	1688	1350	235	147
11	5104	2500	345	215
7,5	2552	2500	300	215
11	9122	4650	365	319
7,5	4150	4650	325	319